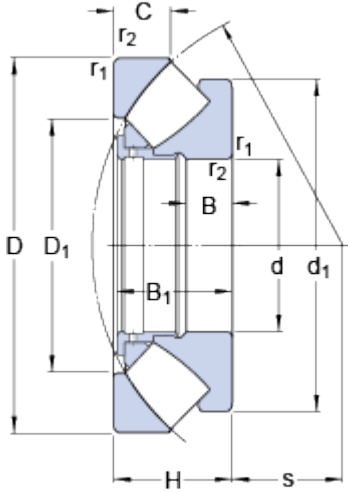


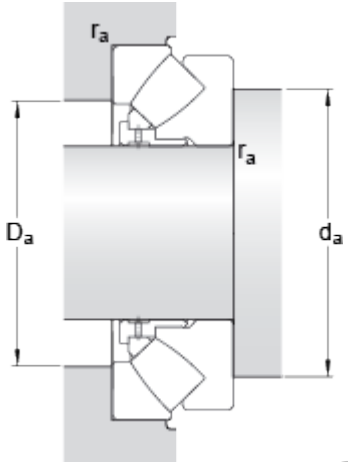
294-600 EM

Dimensions



| | | |
|------------------|---------|----|
| d | 600 | mm |
| D | 1030 | mm |
| H | 258 | mm |
| d ₁ | ≈ 940 | mm |
| D ₁ | ≈ 769 | mm |
| B | 99 | mm |
| B ₁ | 249 | mm |
| C | 128 | mm |
| s | 349 | mm |
| r _{1,2} | min. 12 | mm |

Abutment dimensions



| | | |
|----------------|----------|----|
| d _a | min. 815 | mm |
| D _a | max. 900 | mm |
| r _a | max. 10 | mm |

Calculation data

| | | | |
|---------------------------|----------------|-------|-------|
| Basic dynamic load rating | C | 13100 | kN |
| Basic static load rating | C ₀ | 56000 | kN |
| Fatigue load limit | P _u | 4000 | kN |
| Reference speed | | 280 | r/min |
| Limiting speed | | 530 | r/min |
| Minimum axial load factor | A | 300 | |

Mass

| | | | |
|--------------|--|-----|----|
| Mass bearing | | 845 | kg |
|--------------|--|-----|----|